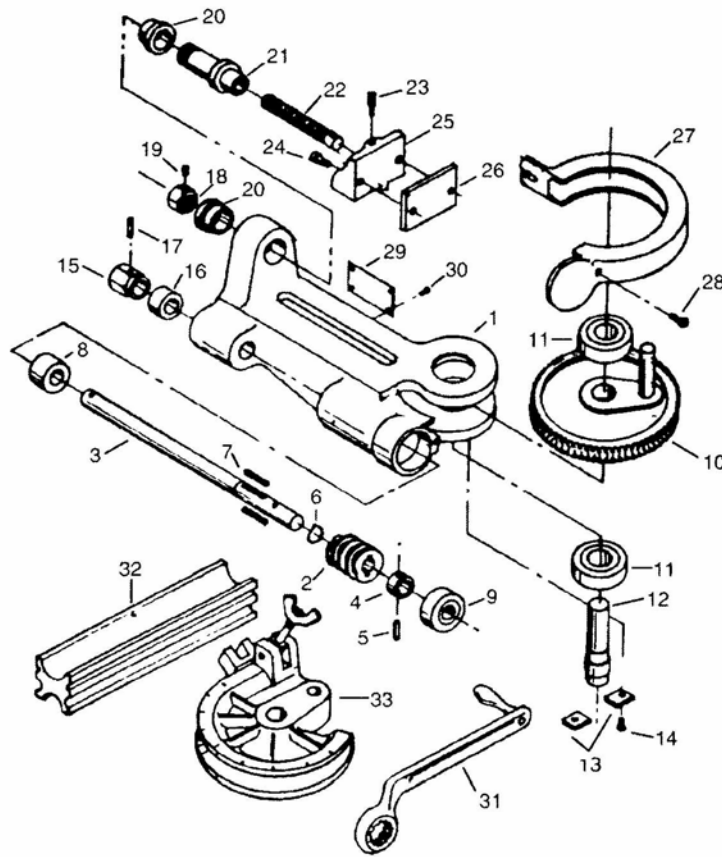


Parts List

Model 412 - Tube Bender



Index	Part Name	Part No.	No. Req'd	Index	Part Name	Part No.	No. Req'd
1	Body	8-154-8	1	16	Bearing	550607	1
	Worm & Shaft Sub Assembly	8-154-34	1	17	Pin Drive Lock	3/16 x 1 DLP	1
2	Worm	8-154-14	1	18	Clamp Nut	8-154-9	1
3	Shaft	8-154-12	1	19	Pin	8-154-11	1
4	Collar	8-154-33	1	20	Bearing	550597	2
5	Driv-Lok Pin	3'16 x 3/4 DLP	1	21	Screw Pilot	8-154-5	1
6	Snap Ring	5100-50	1	22	Screw, Clamp	8-154-4	1
7	Key 1/8 x 1	12-2869-1-1	2	23	Retaining Screw	8-154-35	1
8	Bearing	550606	1	24	Screw	1/4-28 x 5/8 SH	2
9	Bearing	550608	1	25	Slide Shoe	8-154-2	1
10	Worm Gear and Drive Post Assembly	8-154-37	1	26	Wear Plate	8-154-3	1
11	Bearing	550592	2	27	Gear Guard	8-154-45	1
12	Center Post	8-154-15	1	28	Screw	8-32 x 3/8 RH	2
13	Bearing Stop	8-154-38	2	29	Nameplate	1-2063-2	1
14	Screw	10-32 x 1/2 RH	2	30	Drive Screw	0 x 1/8	4
15	Worm Nut	8-154-10	1	31	Crank Handle Sub Assembly	8-154-6	1
					*32	Combination Slide Block (Size 4, 5, 6, 8, 10, 12)	
					*33	Radius Block	

*See Tube Bending Equipment Catalog for Information on Tooling and Machine Accessories