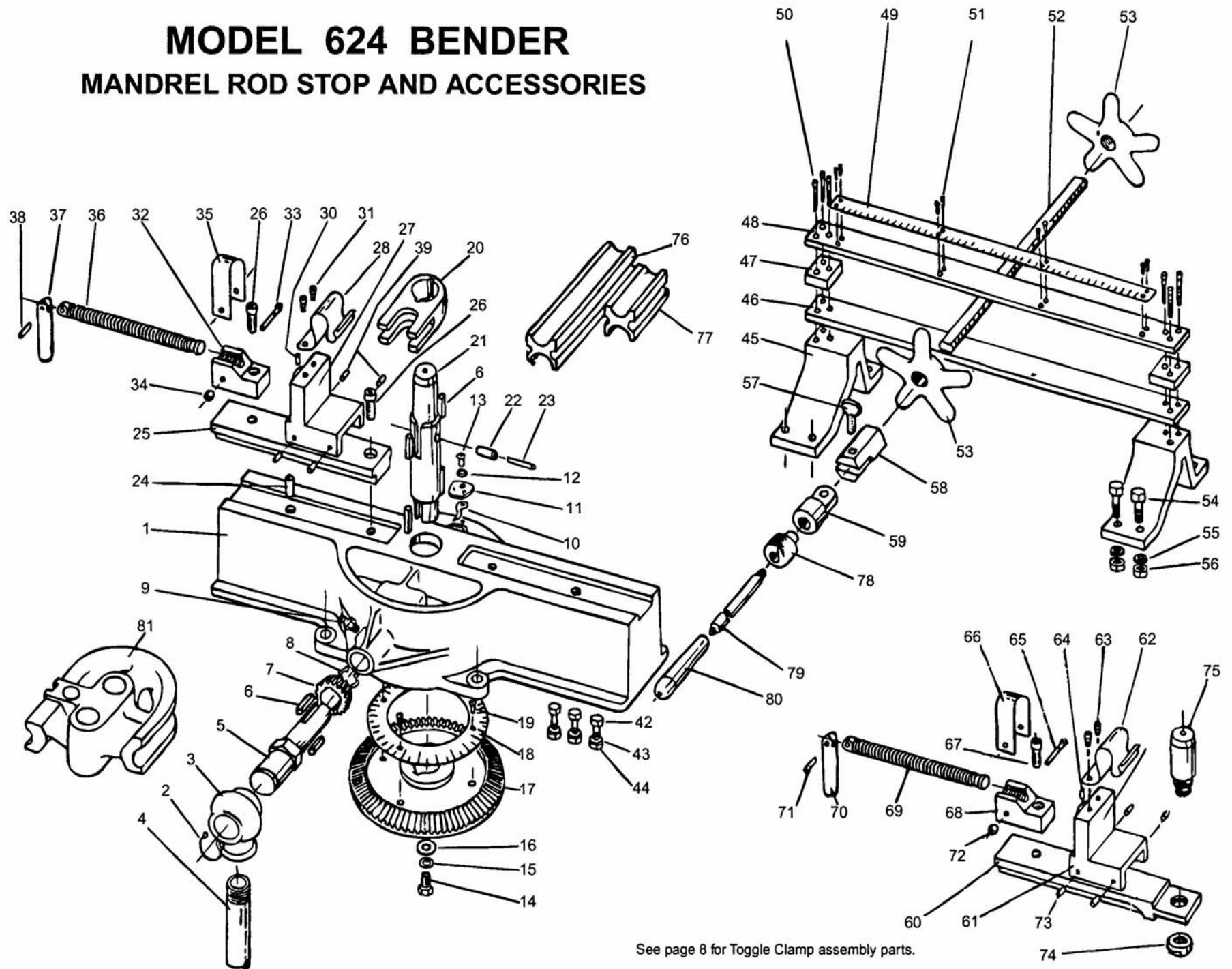


MODEL 624 BENDER

MANDREL ROD STOP AND ACCESSORIES



See page 8 for Toggle Clamp assembly parts.

PARTS LIST

When ordering replacement parts, Model Number and Serial Number of machine must be furnished with order, in addition to Part Name and Part Number.

INDEX NO.	PART NAME	PART NO.	REQ.	INDEX NO.	PART NAME	PART NO.	REQ.	INDEX NO.	PART NAME	PART NO.	REQ.		
BASE ASSEMBLY			1										
1	Base	522173	1	29	Roll Pin (5/32 X 9/16)	5/32 X 9/16 RP	4	61.	Vise Face	540750	1		
2.	Snap Ring (Truarc 5100-125)	5100-125	1	30	Roll Pin (5/32 X 9/16)	5/32 X 9/16 RP	1	62	Spring Adapter.	540749	1		
3	Wrench Head	522179	1	31	Screw (10-32 x 1/2 Socket Head)	10/32 x 1/2 SH	2	63.	Screw (10-32 x 1/2 Socket Head)	10-32 x 1/2 SH	2		
4	Handle (Drive)	522180	1	32	Speed Nut.	641152	1	64.	Roll Pin (5/32 X 5/8)	5/32 X 5/8 RP	1		
5.	Pinion Rod	522176	1	33.	Screw (10-32 x 1 1/2 Socket Head)	10/32 x 1 1/2 SH	1	65.	Screw (10-32 x 1 1/2 Round Head)	10-32 x 1 1/2 RH	1		
6.	Key (1/4" sq. X 1)	12-2869-1-6	6	34.	Nut (10-32 Elastic Stop)	10-32	1	66	Shroud	520503	1		
7	Pinion (Bevel)	522177	1	35	Shroud	520503	1	67.	Screw (1/2-13 x 3/4 Socket Head Cap)	1/2-13 x 1 SH	1		
8	Snap Ring (Truarc 5100-100)	5100-100	1	Speed Screw-Handle Sub Assembly			522194	1	68.	Speed Nut	641152	1	
9	Grease Fitting (Zirk)	440-020	2	36	Speed Screw	641151	1	69.	Speed Screw	641151	1		
10	Pointer	522187	1	37.	Handle	522196	1	Speed Screw-Handle Sub Assembly			522194	1	
11.	Shield	522188	1	38	Roll Pin (5/32 X 7/8)	5/32 X 7/8 RP	1	70	Handle	522196	1		
13	Screw (1/4-20 X 3/8 Round Head)	1/4-20X3/8 RH	1	MANDREL ROD STOP ASSEMBLY			522367	1	71.	Roll Pin (5/32 X 7/8)	5/32 X 7/8 RP	1	
14	Screw (3/8-16 X 1 Hex Head Cap)	3/8-16 X 1 HH	1	45.	Support	522369	2	72.	Nut (Elastic Stop 10-32)	10-32	1		
15	Lockwasher (3/8)	3/8 LW	1	46.	Plate (Bottom)	522375	1	73.	Roll Pin (5/32 X 9/16)	5/32 X 9/16 RP	4		
16	Washer	522186	1	47	Spacer	522374	2	74.	Collar-Locking	520504	1		
17.	Gear (Bevel)	522178	1	48	Plate (Top)	522376	1	75	Drve Post	522200	1		
18	Indicator Dial	1-2063-10	1	49	Scale	1-2063-11-1	1	76	Slide Block				
19	Drive Screw (#2 X 1/4)	2 X 1/4	4	50	Screw (3/8-16 x 1 3/4 Socket Head)	3/8-16 x 1 3/4 SH	6		(combination sizes 8,12,16, 24)	520516	1		
King Pin - Link Sub Assembly			522181	1	51.	Drve Screw (#2 X 1/4)	2 X 1/4	8		(combination sizes 10,14,18, 20)	520518	1	
20	Link	522183	1	52.	Screw (Adjusting)	522378	1	77.	Clamp Block				
21.	King Pin	522182	1	53	Stop Nut.	522370	2		(combination sizes 8,12,16, 24)	631092	1		
22	Plug	522184	1	54.	Screw (3/8-16 x 1 1/4 Hex Head)	3/8-16 x 1 1/4 HH	8		(combination sizes 10,14,18, 20)	631093	1		
23	Dowel Pin (3/16 X 2)	3/16 X 2 RP	1	55.	Lockwasher	3/8 W	8	78.	Adapter (Mandrel Rod)				
SLID ARM AND VISE ASSEMBLY			550500	1	56.	Nut (3/8-16)	3/8-16	8		5/16 and 13/32 (included in mandrel			
Arm and Pin Sub Assembly			522199		Universal Adapter Sub Assembly			522395	1		rod stop assembly)	522398	1
24	Dowel Pin	3/8 X 1 RP	2	57	Screw (1/2-13 x 1 1/4 Thumb)	1/2-13 x 1 1/2 TS	1		1/4 Adapter (included with 1/4 rod)	550501	1		
25	Arm (Slide)	522198	1	58	Yoke	522397	1	79	Mandrel Rods	See Foot Note			
26.	Screw (1/2-13 X 3/4 Hollow Hex Cap)	1/2-13 X 3/4 SH	2	59.	Tongue	522396	1	80	Mandrel	Specify tube O D and wall			
27	Vise Face	540750	1	CLAMP ARM AND VISE ASSEMBLY			540504	1	81.	Radius Blocks	Specify tube O.D. and radius		
28	Spring Adapter	540749	1	60	Arm (Clamp)	522190	1	NOTE: When ordering mandrel rod, specify tube O D and wall, tube length, and model of bender					