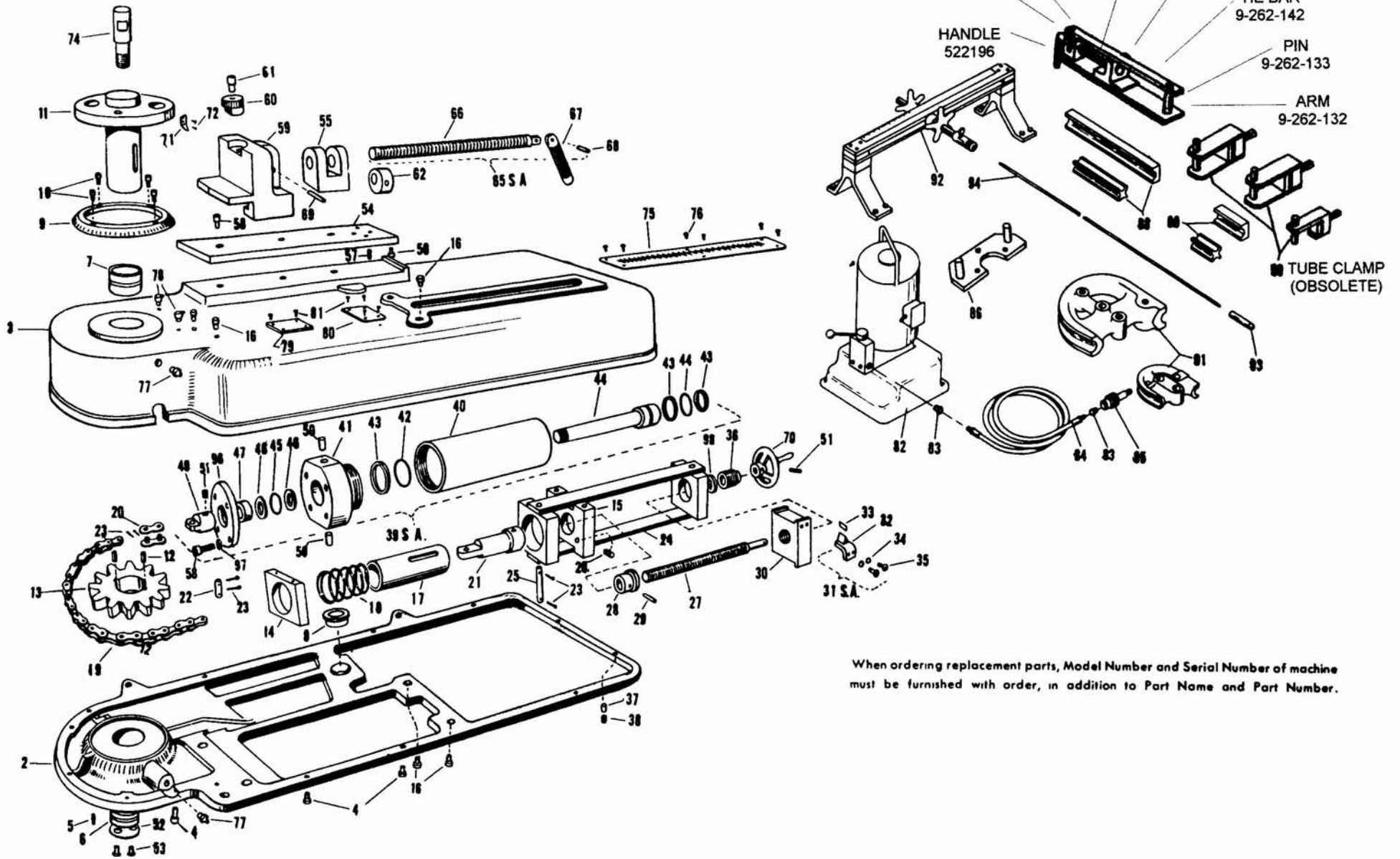


MODEL 632 HYDRAULIC TUBE BENDER

87 CLAMP ARM ASSY 9-262-131



PARTS LIST

Model 632 Hydraulic Tube Bender

INDEX NO.	PART NAME	PART NO.	NO. REQ.
1	Sub-Assy. Base and Cover Plate	9-262-120	1
2	Cover Plate	9-262-121	1
3	Base	9-262-122	1
4	Socket Head Cap Screw	¼-20UNC x ¾	9
5	Drive-Lok Dowel	.250 x ¾ Lg	3
6	King Pin Bearing	9-262-26-1	1
7	King Pin Bearing	9-262-26-2	1
8	Trunnion Bushing	9-262-119	2
9	Dial Indicator	9-262-9	1
10	Socket Head Cap Screw	¼-20UNC x ½ Lg	4
11	King Pin	9-262-8	1
12	Drive Key	½ Sq x 1 13/16 Lg	2
13	Chain Drive Sprocket	9-262-10	1
14	Tube Clamp	9-262-33	1
15	Tube Clamp	9-262-34	1
16	Socket Head Cap Screw	¾-16UNC x 1 ¼ Lg	8
17	Spring Guide	9-262-25	1
18	Cyl. Return Spring	9-262-95	1
19	Roller Chain	9-292-124-1	1
20	Chain Connecting Link	9-292-124-2	1
21	Chain Clevis	9-262-11	1
22	Clevis Pin	9-262-36	1
23	Cotter Pin	¼ x 1 Lg	4
24	Stop Yoke	9-262-70	1
25	Clevis Pin	9-262-27	1
26	Nylok Hol. Socket Set Screw	¾-16 x ¾ Lg	1
27	Stop Adjusting Screw	9-262-13	1
28	Thrust Nut	9-262-14	1
29	Roll Pin	52-040-187-1375	1
30	Adjusting Stop Nut	9-262-23	1
31	Angle Indicator Assembly	9-262-75	1
32	Pointer	9-262-68	1
33	Line Indicator	9-262-74	1
34	Shakeproof Lockwasher	1210-00	2
35	Socket Head Cap Screw	10-24UNC x ¾ Lg	2
36	Screw Bushing	9-262-65	1
37	Nylon Plug	¾ Dia x ¼ Lg	1
38	Hollow Socket Set Screw	¼-20UNC x ½ Lg	1
39	Hydraulic Cylinder Assembly	9-262-125	1
40	Cylinder Barrel	9-262-127	1
41	Cylinder Front Cap	9-262-126	1
42	Parker O-ring	2-326	2
43	Back-up Ring, Teflon	MS28774-326	3
44	Cylinder Piston Rod	9-262-128	1
45	Parker O-ring	2-216	1
46	Back-up Ring, Teflon	MS28774-216	2
47	Piston Rod Bearing	9-262-129	1
49	Cylinder Rod End	9-262-130	1
50	Std. Dowel Pin	.7502 Dia x 1 ½ Lg	2
51	Hol. Socket Set Screw	¼-20UNC x ¾ Lg	2
52	King Pin Retainer	4-162-12	1
53	Flat Head Socket Cap Screw	½-13UNC x 1 Lg	2

INDEX NO.	PART NAME	PART NO.	NO. REQ.	
54	Vise Clamp Slide Rail	9-262-123	1	
55	Half-turn Nut Bracket	9-262-64	1	
56	Socket Head Cap Screw	¾-24UNF x 1 Lg	2	
57	Std. Dowel Pin	.3752 Dia x 1 ½ Lg	2	
58	Socket Head Cap Screw	¾-16UNC x 1 Lg	3	
59	Vise Clamp	9-262-7	1	
60	Slide Block Stop	9-262-58	1	
61	Socket Head Cap Screw	½-13UNC x 1 Lg	1	
62	Half-turn Clamp Nut	9-262-164	1	
65	Vise Adj. Screw Sub-assembly	9-262-62	1	
66	Vise Adjusting Screw	9-262-61	1	
67	Adjusting Screw Handle	1241-522196	1	
68	Roll Pin	1241-522056	1	
69	Roll Pin	51-048-250-1875	1	
70	Stop Adjusting Hand Wheel	9-262-140	1	
71	Pointer	9-262-35	1	
72	Round Head Machine Screw	6-32 x ¼ Lg	2	
74	Center Post Pin	6-1638-10	1	
75	Angle Indicator Cover Plate	9-262-32	1	
76	Round Head Machine Screw	10-24UNC x ¾ Lg	6	
77	Lincoln Grease Lubricator Fitg.	5000	2	
78	Gits Oil Hole Cover	502, Style G	2	
79	Nameplate	1-2063-2	1	
80	Warning Plate	9-262-79	1	
81	P-K Drive Screw Type U	0 x ½ Lg	8	
82	Pump, Hydraulic, 10,000 psi (max.) 110/220 V., 60 Cy., AC, Single Phase.	9-262-81		
83	Pipe Thread Reducer ¾-¼ PTR-S.	9-262-83-1		
84	Hose Assembly (6 ft. long) ¼" EPT	9-262-83-2		
85	Quick-disconnect Coupler (Complete) ¾" IPT	9-262-84		
86	Drive Plate Adapter Assembly	9-262-138		
87	Radius Block Tube Clamp Arm Assembly	9-262-131		
88	Slide Block	8-12-16-24 . ½, ¾, 1, 1 ½ O. D. tube 1141-520516 10-14-18-20 . ¾, 1, 1 ½, 1 ¼ O. D. tube 1141-520518 28 1 ¾ O. D. tube 8-642-7-28 32 2 O. D. tube 8-642-7-32		
89	Clamp Block	8-12-16-24 . ½, ¾, 1, 1 ½ O. D. tube 631092 10-14-18-20 ¾, 1, 1 ½, 1 ¼ O. D. tube 631093 28 1 ¾ O. D. tube 2-741-8-28 32 2 O. D. tube 2-741-8-32		
90	Clamp Yoke	814 . ½" to ¾" O. D. tube 9-262-53 1626 . 1" to 1 ½" O. D. tube 9-262-54 2832 . 1 ¾" and 2" O. D. tube 9-262-55		

INDEX NO.	PART NAME	PART NO.
	(NEW MS33611 Standard)	
	8 x 1 ½ . . . ½" O. D. tube x 1 ½" rad 1141-590515-24	
	10 x 1 ¾ . . . ¾" O. D. tube x 1 ¾" rad 1141-590518-30	
	12 x 2 ¼ . . . ¾" O. D. tube x 2 ¼" rad 1141-590521-36	
	14 x 2 ½ . . . ¾" O. D. tube x 2 ½" rad 1141-590523-42	
	16 x 3 1" O. D. tube x 3" rad 1141-530767	
	18 x 3 ¾ . . . 1 ¼" O. D. tube x 3 ¾" rad 1141-590526-54	
	20 x 3 ¾ . . . 1 ¼" O. D. tube x 3 ¾" rad 1141-530769	
	24 x 4 ½ . . . 1 ½" O. D. tube x 4 ½" rad 1141-590530-72	
91	Radius Block	
	28 x 7 1 ¾" O. D. tube x 7" rad 9-262-48-7	
	32 x 8 2" O. D. tube x 8" rad 9-262-48-8	
	(OLD AND10111 Standard)	
	8 x 1 ¼ . . . ½" O. D. tube x 1 ½" rad 530763	
	10 x 1 ½ . . . ¾" O. D. tube x 1 ½" rad 530764	
	12 x 1 ¾ . . . ¾" O. D. tube x 1 ¾" rad 530765	
	14 x 2 ¾" O. D. tube x 2" rad 530766	
	24 x 5 1 ½" O. D. tube x 5" rad 530770	
	28 x 7 1 ¾" O. D. tube x 7" rad 9-262-48-7	
	32 x 8 2" O. D. tube x 8" rad 9-262-48-8	
92	Mandrel Rod Stop Assembly	9-262-88
93	Mandrel	Specify tube O.D. x wall thickness
94	Mandrel Rod	¾" dia. for tube with .363 to .484 I.D. 1 ½" dia. for tube with .485 to 1.489 I.D. ¾" dia. for tube with 1.490 I.D. or larger
96	Rod Bushing Retainer	9-262-146 1
97	Med. Spring Lockwasher	¾" I.D. Nom. SAE 4
98	Thrust Washer, bronze	¾" x 1" x ¼" 1

ACCESSORIES FOR I.P.S. TUBING—Radius blocks, clamp blocks and slide blocks are available on special order, for use with iron pipe size tubing, which has the same outside diameter as iron pipe, and is designated by nominal iron pipe size. When ordering, specify tubing size and bender model.